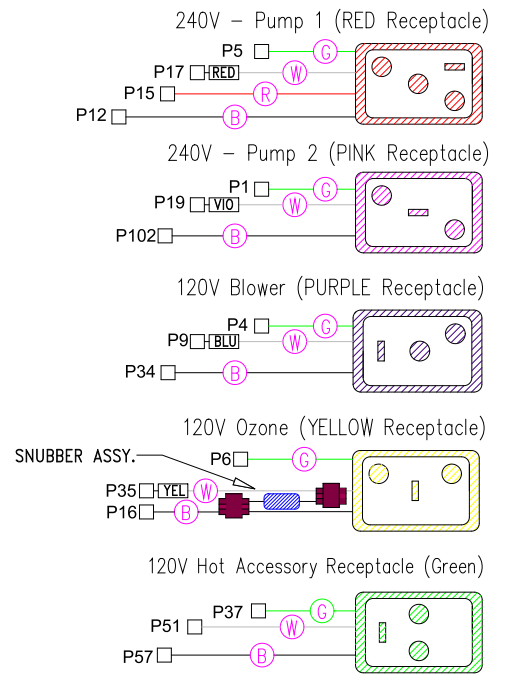
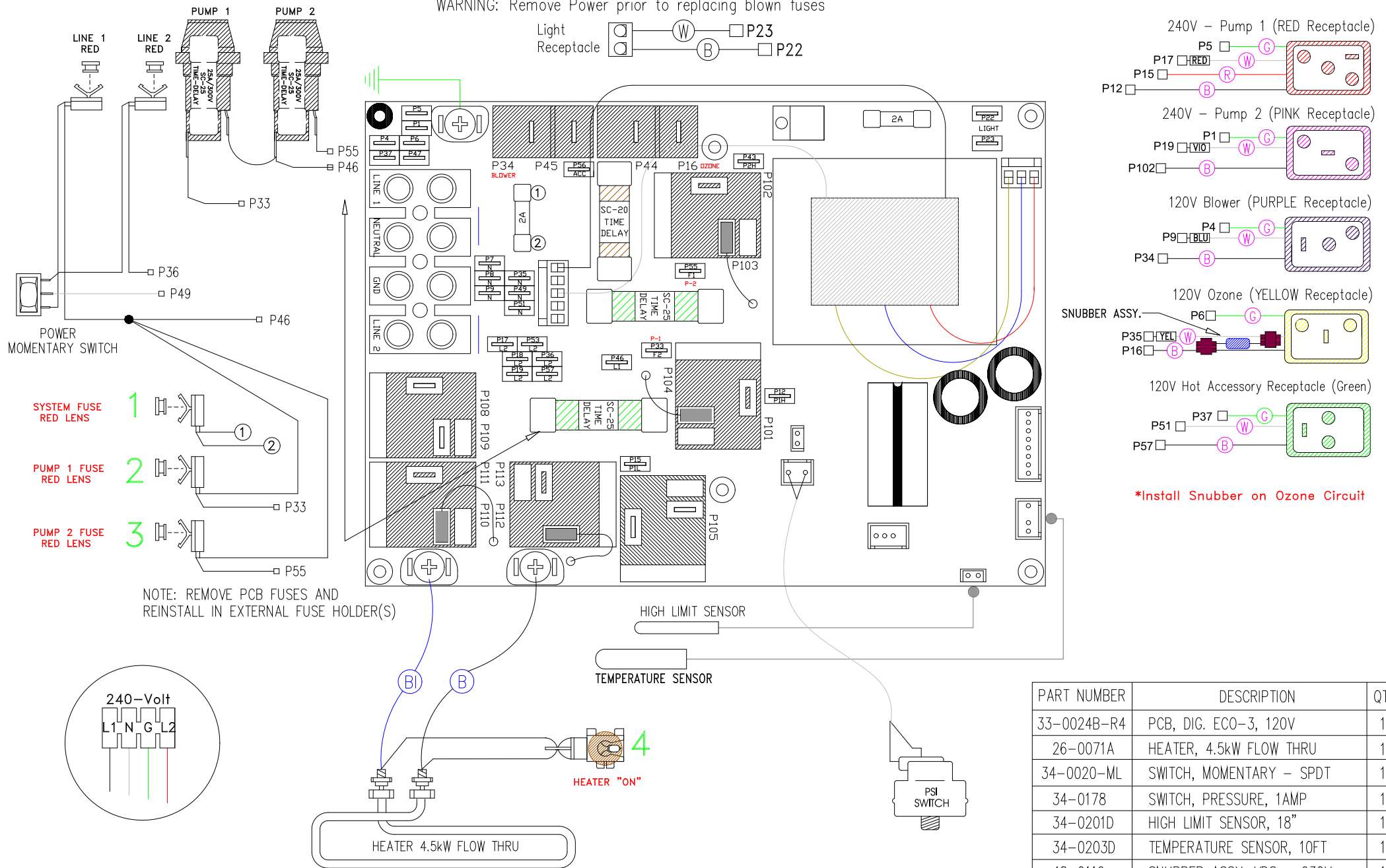
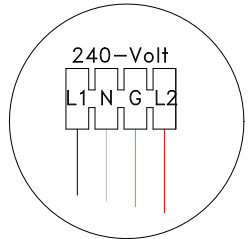


WARNING: Remove Power prior to replacing blown fuses



*Install Snubber on Ozone Circuit

NOTE: REMOVE PCB FUSES AND REINSTALL IN EXTERNAL FUSE HOLDER(S)



PART NUMBER	DESCRIPTION	QTY
33-0024B-R4	PCB, DIG. ECO-3, 120V	1
26-0071A	HEATER, 4.5kW FLOW THRU	1
34-0020-ML	SWITCH, MOMENTARY - SPDT	1
34-0178	SWITCH, PRESSURE, 1AMP	1
34-0201D	HIGH LIMIT SENSOR, 18"	1
34-0203D	TEMPERATURE SENSOR, 10FT	1
48-0116	SNUBBER ASSY, VDS - 630V	1

Manufacture Notes:

System replacement fuse included with each unit (attached to inside faceplate).

Drawn	Rev	Wire Color Code
GC	3	B - Black G - Green
Date	02.05.07	Br - Brown BI - Blue
Diagram No.	8026	R - Red V - Violet
		O - Orange W - White
		Y - Yellow Gr - Gray